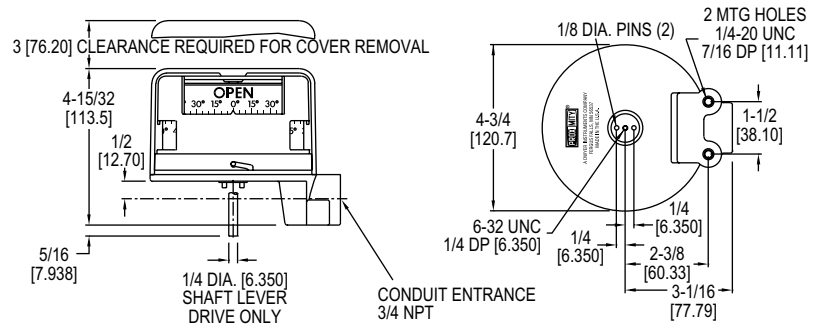


QUICK-VIEW® VALVE POSITION INDICATORS/SWITCHES

Ultra-Low Cost, Compact, Backlit, Corrosion Resistant



The Series QV Quick-View® Valve Position Indicators/Switches, now UL and CSA rated, are produced by Proximity with up to four individual mechanical or proximity switches. The Quick-View® indicator is also available with optional backlighting.

BENEFITS/FEATURES

- The lowest cost position indication
- Extremely compact design
- Easily interchangeable with key competition
- Backlighting option available for maximum visibility
- Quick-View® Indicator and mounting kits, including NAMUR kits, are stocked for fast delivery
- Flame retardant
- UV protection
- Hazardous location option

APPLICATIONS

- Rotary or linear valve indication
- Industrial damper position monitoring

SPECIFICATIONS

Minimum Rotation Travel (Switches only): 5°.
Maximum Rotation Travel (Switches only): 360°.
Temperature Limits: -40 to 180°F (-40 to 82°C).
Switch Type: SPDT.
Electrical SPDT Switch Ratings: QV-X1XXXX: 10 A @ 125/250 VAC; 0.5 A 125 VDC; 10 A @ 24 VDC mech. switch; QV-X2XXXX: 1 A @ 125 VAC; 1A @ 24 VDC mech. switch; QV-X3XXXX: 2 A @ 125 VAC; 2A @ 30 VDC prox. switch; QV-X4XXXX: 5-25 VDC namur sensor; QV-X5XXXX: 10-30 VDC inductive sensor; QV-X6XXXX: 10 A @ 125/250 VAC mech. switch.
Lighting Supply Voltage: 24-28 VDC.
Enclosure Material: Polycarbonate housing and conduit.
Conduit Entrance: One 3/4" NPT.
Enclosure Rating: NEMA 4, 4X (IP66, IP56). Optional explosion-proof, rated: Class I, Groups A, B, C, D; Class II, Groups F and G; Div. 2.
Maximum Altitude: 2000 m (6560 ft).
Compliance: CE, CSA, cULus.

MODEL CHART	
Model	Backlighting
QV-210101	No
QV-210111	Yes
Note: Stocked position indicators include two 10 amp SPDT mechanical snap switches, are direct drive type and include the standard quarter-turn OPEN/CLOSED visual indicator. Standard units are CSA and UL approved but not for hazardous locations. Specify "EX" for hazardous location option. Consult factory for optional VI colors.	

MODEL CHART							
Example	QV	-2	1	01	0	1	QV-210101
Series	QV						Quick-View® valve position indicator/switch
Number of Switches		0 1 2 3 4					None* One* Two* Three* Four*
Switch Type							No switches* 10A mechanical snap switch 1A mechanical gold contacts 2A Proximity reed switch* 5-25 VDC namur sensor 10-30 VDC inductive sensor 10A mechanical snap switch
Driving Style				01 02 03			Direct* Lever* Namur*
Lighting Option					0 1		None* 24-28 VDC bright white LED's
Visual Indication						0 1 2	None Standard (open closed)* Upside down (open closed)*
Additional Options						EX	Class I, Div. II, Groups A, B, C and D; Class II, Div. II Groups F and G.
*EX, Explosion-proof option available.							
Note: The 1st, 2nd, 3rd and 6th codes can not all be zero.							



Model QV mounted to an actuator